



# WORLDWIDE ELECTRIC MOTOR DATA SHEET



## WPMDC12-18-180V-56CB

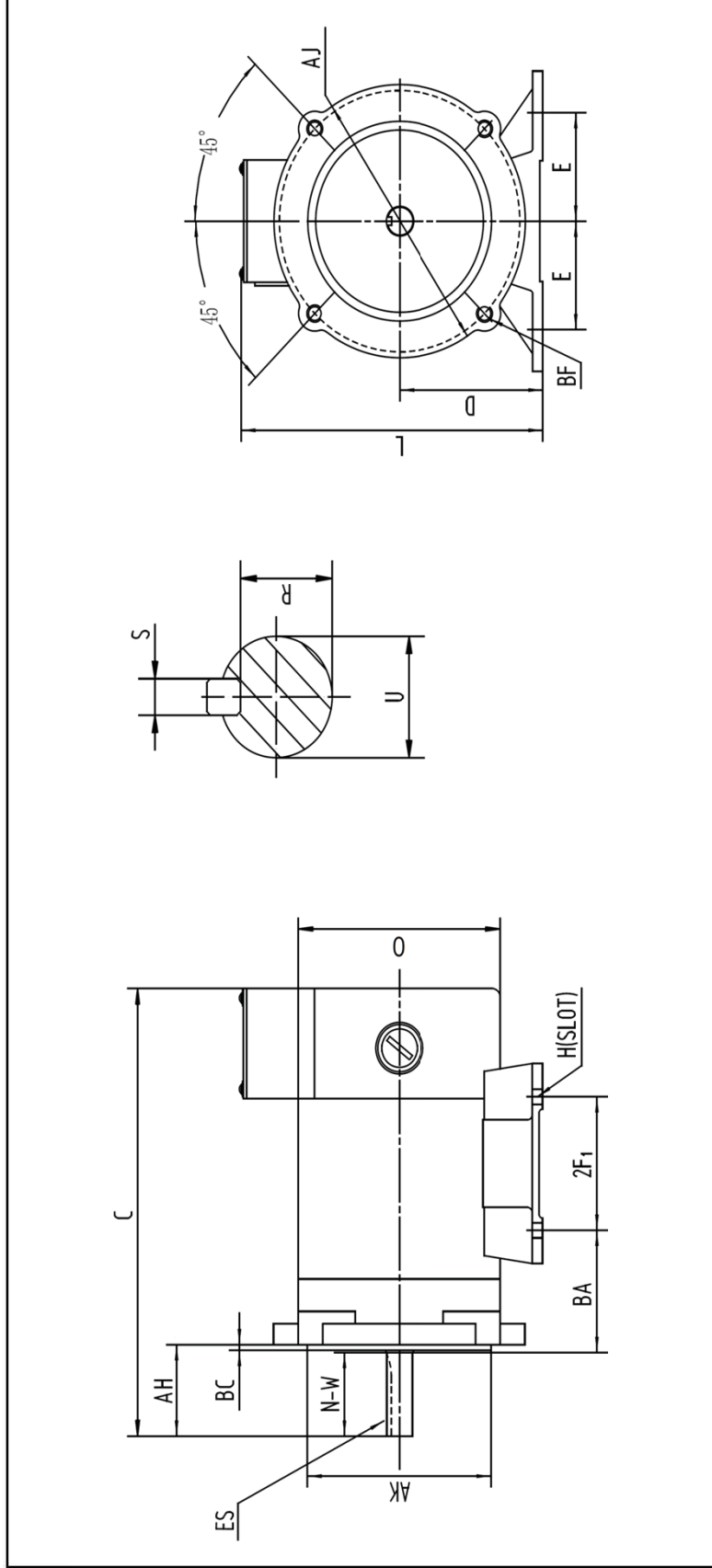
|                         |                    |
|-------------------------|--------------------|
| HP                      | 1/2                |
| RPM / POLES             | 1800 / 4           |
| ARMATURE VOLTAGE        | 180 V              |
| FRAME                   | 56C                |
| ENCLOSURE               | TENV               |
| ARMATURE FULL LOAD AMPS | 2.6 A              |
| FULL LOAD TORQUE        | 1.46 LB. FT.       |
| FORM FACTOR             | 1.35               |
| SERVICE FACTOR          | 1.0                |
| INSULATION CLASS        | F                  |
| AMBIENT TEMP.           | 40° C              |
| BASE TYPE               | C-FACE - REMOVABLE |
| SHAFT                   | KEYED              |
| DE BEARING              | 6203               |
| ODE BEARING             | 6203               |
| MOUNTING                | F3                 |
| ROTATION                | CW / CCW           |
| WIRE TYPE               | LOOSE WIRE         |
| WIRE HOUSING            | JUNCTION BOX       |
| APPROX. WEIGHT          | 22 LBS.            |
| FL EFFICIENCY           | 82.0%              |



REVISED - 01/01/11



**WORLDWIDE ELECTRIC MOTOR DRAWING**  
**WPMDC12-18-180V-56CB**



| MOUNTING |     |     |     |     |      |      |
|----------|-----|-----|-----|-----|------|------|
| E        | E2  | 2F1 | 2F2 | 2F3 | H    | O    |
| 2.44     | --- | 3   | --- | --- | 0.34 | 4.94 |
|          |     |     |     |     |      |      |
|          |     |     |     |     |      |      |
|          |     |     |     |     |      |      |
|          |     |     |     |     |      |      |
|          |     |     |     |     |      |      |

| KEY  |      | KEYSEAT |       | FLANGE |       |     | SHAFT  |      |
|------|------|---------|-------|--------|-------|-----|--------|------|
| AH   | BC   | ES      | S     | R      | AJ    | AK  | BF     | N-W  |
| 2.06 | 0.12 | 1.41    | 0.188 | 0.517  | 5.875 | 4.5 | 3/8-16 | 1.88 |
|      |      |         |       |        |       |     |        |      |
|      |      |         |       |        |       |     |        |      |
|      |      |         |       |        |       |     |        |      |
|      |      |         |       |        |       |     |        |      |
|      |      |         |       |        |       |     |        |      |
|      |      |         |       |        |       |     |        |      |

ALL DIMENSIONS IN INCHES