



WORLDWIDE ELECTRIC MOTOR DATA SHEET

WPMDC14-18-90V-56CB



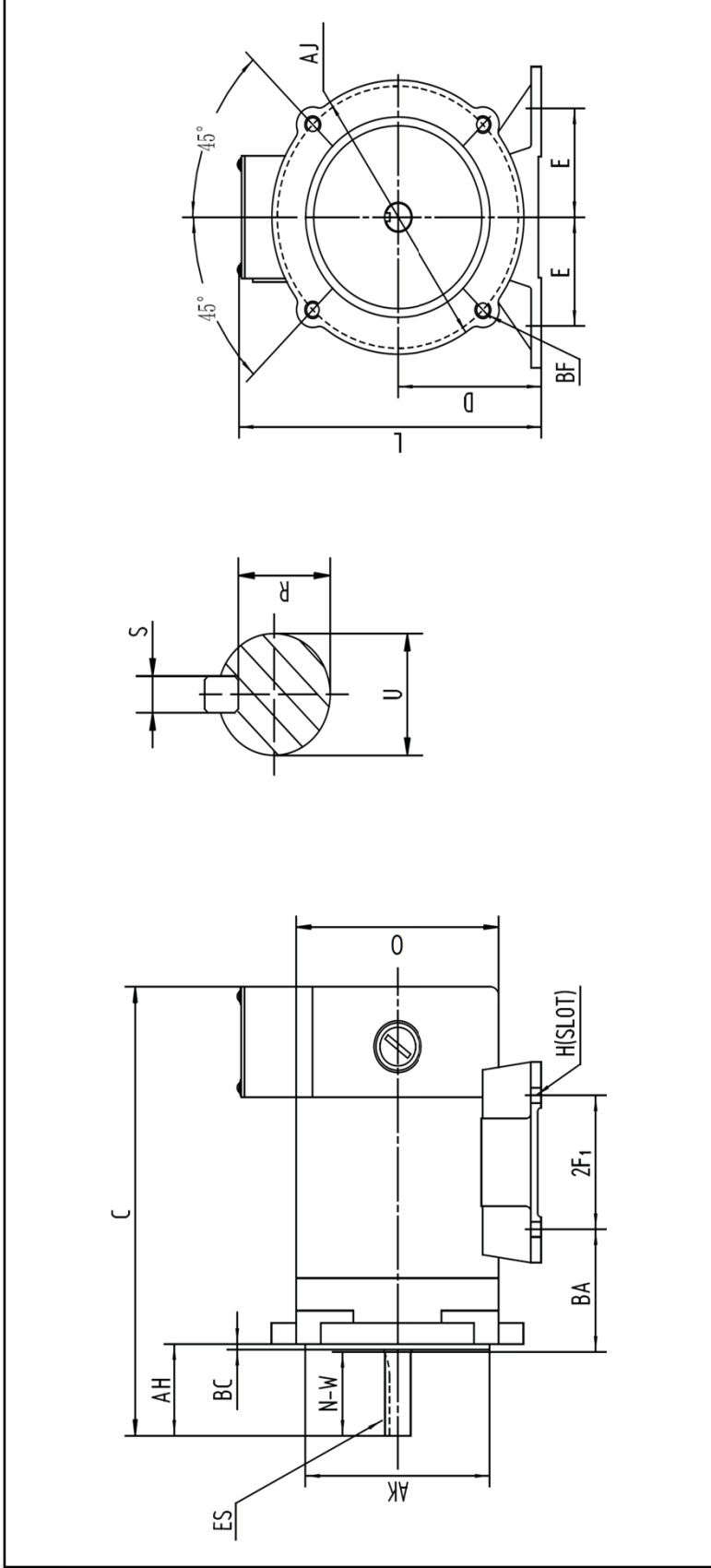
HP	1/4
RPM / POLES	1800 / 4
ARMATURE VOLTAGE	90 V
FRAME	56C
ENCLOSURE	TENV
ARMATURE FULL LOAD AMPS	2.9 A
FULL LOAD TORQUE	0.73 LB. FT.
FORM FACTOR	1.35
SERVICE FACTOR	1.0
INSULATION CLASS	F
AMBIENT TEMP.	40° C
BASE TYPE	C-FACE - REMOVABLE
SHAFT	KEYED
DE BEARING	6203
ODE BEARING	6203
MOUNTING	F3
ROTATION	CW / CCW
WIRE TYPE	LOOSE WIRE
WIRE HOUSING	JUNCTION BOX
APPROX. WEIGHT	17 LBS.
FL EFFICIENCY	80.0%



REVISED - 01/01/11



WORLDWIDE ELECTRIC MOTOR DRAWING
WPMDC14-18-90V-56CB



MOUNTING										
E	E2	2F1	2F2	2F3	H	BA	C	D	L	O
2.44	---	3	---	---	0.34	2.75	10.06	3.5	7.63	4.94

KEY			KEYSEAT			FLANGE			SHAFT	
AH	BC	ES	S	R	AJ	AK	BF	N-W	U	
2.06	0.12	1.41	0.188	0.517	5.875	4.5	3/8-16	1.88	0.625	

ALL DIMENSIONS IN INCHES