



WORLDWIDE ELECTRIC MOTOR DATA SHEET

WPMDC1.5-18-180V-145TCB



HP	1.5
RPM / POLES	1800 / 4
ARMATURE VOLTAGE	180 V
FRAME	145TC
ENCLOSURE	TEFC
ARMATURE FULL LOAD AMPS	7.7 A
FULL LOAD TORQUE	4.38 LB. FT.
FORM FACTOR	1.35
SERVICE FACTOR	1.0
INSULATION CLASS	F
AMBIENT TEMP.	40° C
BASE TYPE	C-FACE - REMOVABLE
SHAFT	KEYED
DE BEARING	6305
ODE BEARING	6305
MOUNTING	F3
ROTATION	CW / CCW
WIRE TYPE	LOOSE WIRE
WIRE HOUSING	JUNCTION BOX
APPROX. WEIGHT	47 LBS.
FL EFFICIENCY	80.0%

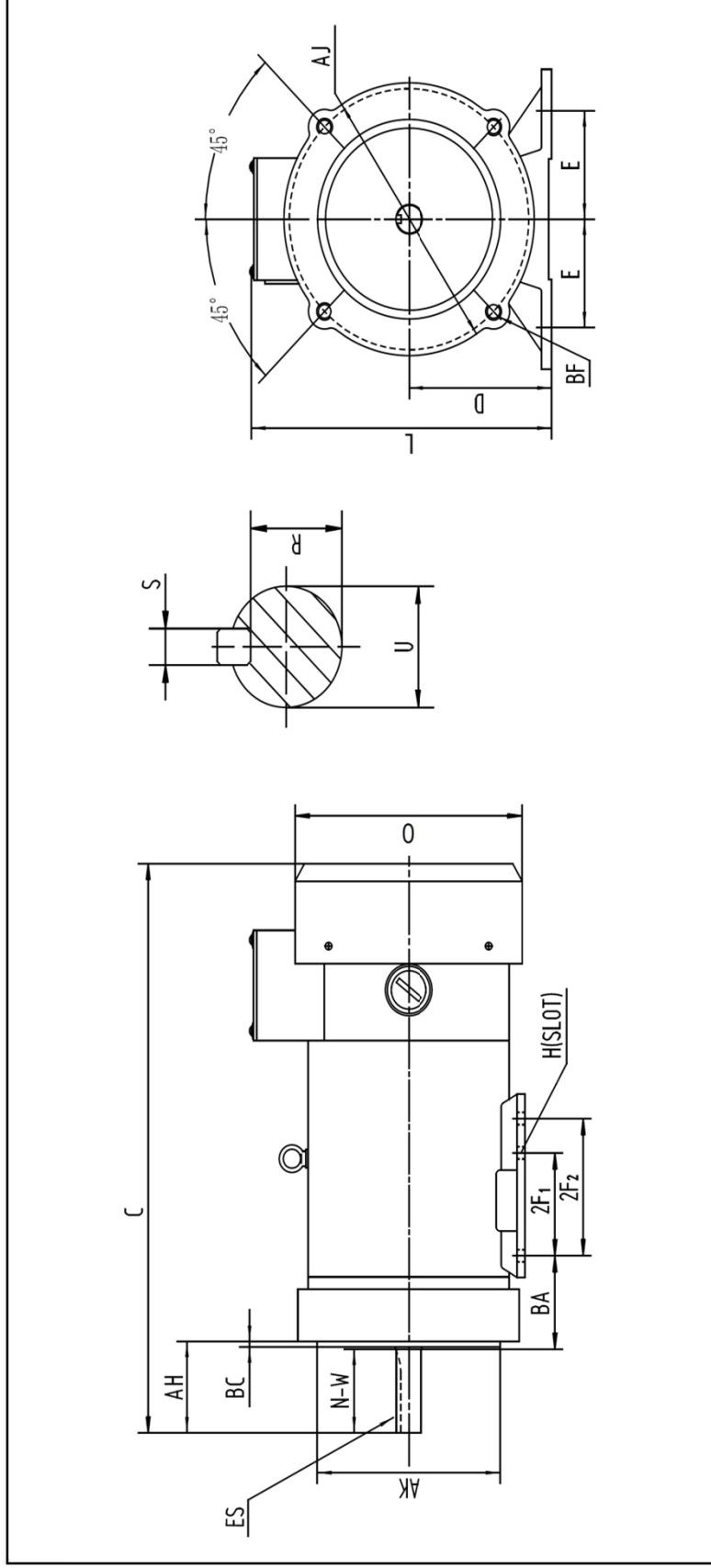


REVISED - 05/24/11



WORLDWIDE ELECTRIC MOTOR DRAWING

WPMDC1.5-18-180V-145TCB



MOUNTING

E	E2	2F1	2F2	2F3	H	BA	C	D	L	O
2.75	---	4	5	---	0.34	2.75	15.87	3.5	7.85	6.87

KEY

AH	BC	ES	S	R	0.771	AJ	AK	BF	N-W	U
2.12	0.12	1.41	0.188	0.771	0.771	5.875	4.5	3/8-16	2.25	0.875

FLANGE

AJ	AK	BF	N-W	U
5.875	4.5	3/8-16	2.25	0.875

ALL DIMENSIONS IN INCHES