



# WORLDWIDE ELECTRIC MOTOR DATA SHEET

## WPMDC2-18-180V-145TCB



HP	2
RPM / POLES	1800 / 4
ARMATURE VOLTAGE	180 V
FRAME	145TC
ENCLOSURE	TEFC
ARMATURE FULL LOAD AMPS	9.8 A
FULL LOAD TORQUE	5.84 LB. FT.
FORM FACTOR	1.35
SERVICE FACTOR	1.0
INSULATION CLASS	F
AMBIENT TEMP.	40° C
BASE TYPE	C-FACE - REMOVABLE
SHAFT	KEYED
DE BEARING	6305
ODE BEARING	6305
MOUNTING	F3
ROTATION	CW / CCW
WIRE TYPE	LOOSE WIRE
WIRE HOUSING	JUNCTION BOX
APPROX. WEIGHT	65 LBS.
FL EFFICIENCY	80.0%

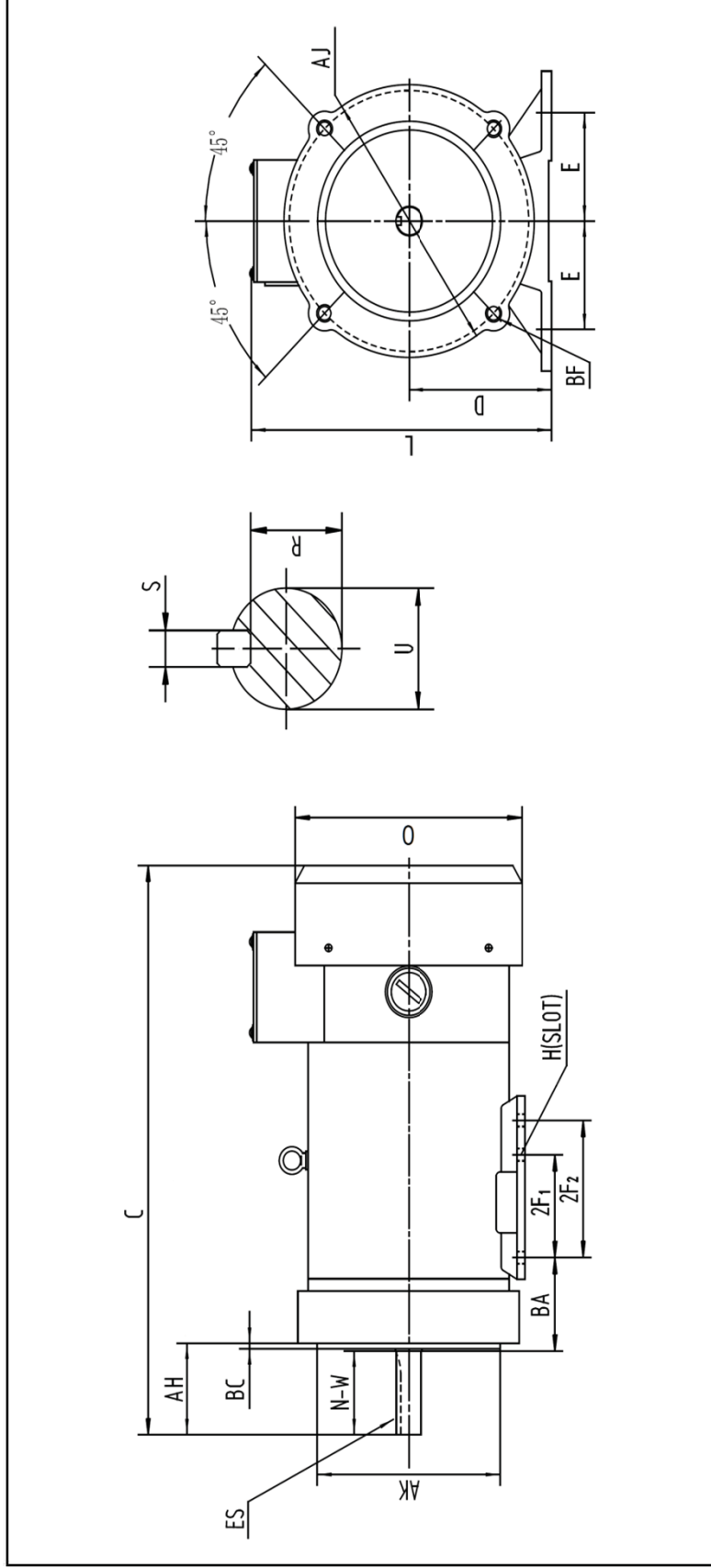


REVISED - 05/20/11



# WORLDWIDE ELECTRIC MOTOR DRAWING

## WPMDC2-18-180V-145TCB



### MOUNTING

E	E2	2F1	2F2	2F3	H	BA	C	D	L	O
2.75	---	4	5	---	0.34	2.75	16.87	3.5	7.85	6.87

### KEY

AH	BC	ES	S	R	0.771	AJ	AK	BF	N-W	U
2.12	0.12	1.41	0.188	0.771	0.771	5.875	4.5	3/8-16	2.25	0.875

### FLANGE

### SHAFT

ALL DIMENSIONS IN INCHES