



WORLDWIDE ELECTRIC MOTOR DATA SHEET



WPMDC2-18-180V-56CB

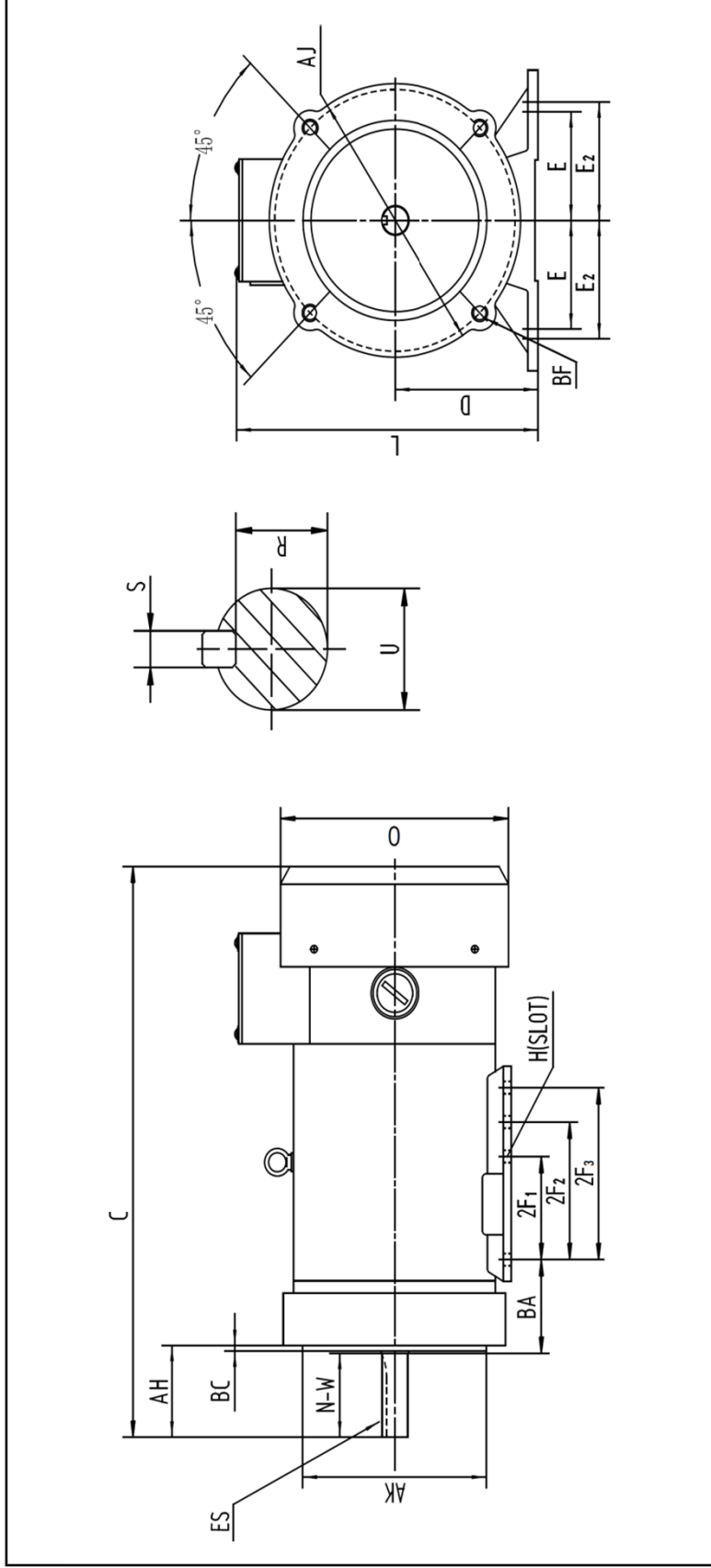
HP	2
RPM / POLES	1800 / 4
ARMATURE VOLTAGE	180 V
FRAME	56C
ENCLOSURE	TEFC
ARMATURE FULL LOAD AMPS	9.8 A
FULL LOAD TORQUE	5.84 LB. FT.
FORM FACTOR	1.35
SERVICE FACTOR	1.0
INSULATION CLASS	F
AMBIENT TEMP.	40° C
BASE TYPE	C-FACE - REMOVABLE
SHAFT	KEYED
DE BEARING	6203
ODE BEARING	6203
MOUNTING	F3
ROTATION	CW / CCW
WIRE TYPE	LOOSE WIRE
WIRE HOUSING	JUNCTION BOX
APPROX. WEIGHT	65 LBS.
FL EFFICIENCY	85.0%



REVISED - 01/01/11



WORLDWIDE ELECTRIC MOTOR DRAWING
WPMDC2-18-180V-56CB



MOUNTING						
E	E2	2F1	2F2	2F3	H	O
2.44	2.75	3	4	5	0.34	6.87

KEY			KEYSEAT			FLANGE			SHAFT		
AH	BC	ES	S	R	AJ	AK	BF	N-W	U		
2.06	0.12	1.41	0.188	0.517	5.875	4.5	3/8-16	1.88	0.625		

ALL DIMENSIONS IN INCHES