



WORLDWIDE ELECTRIC MOTOR DATA SHEET

WSS12-36-56CB

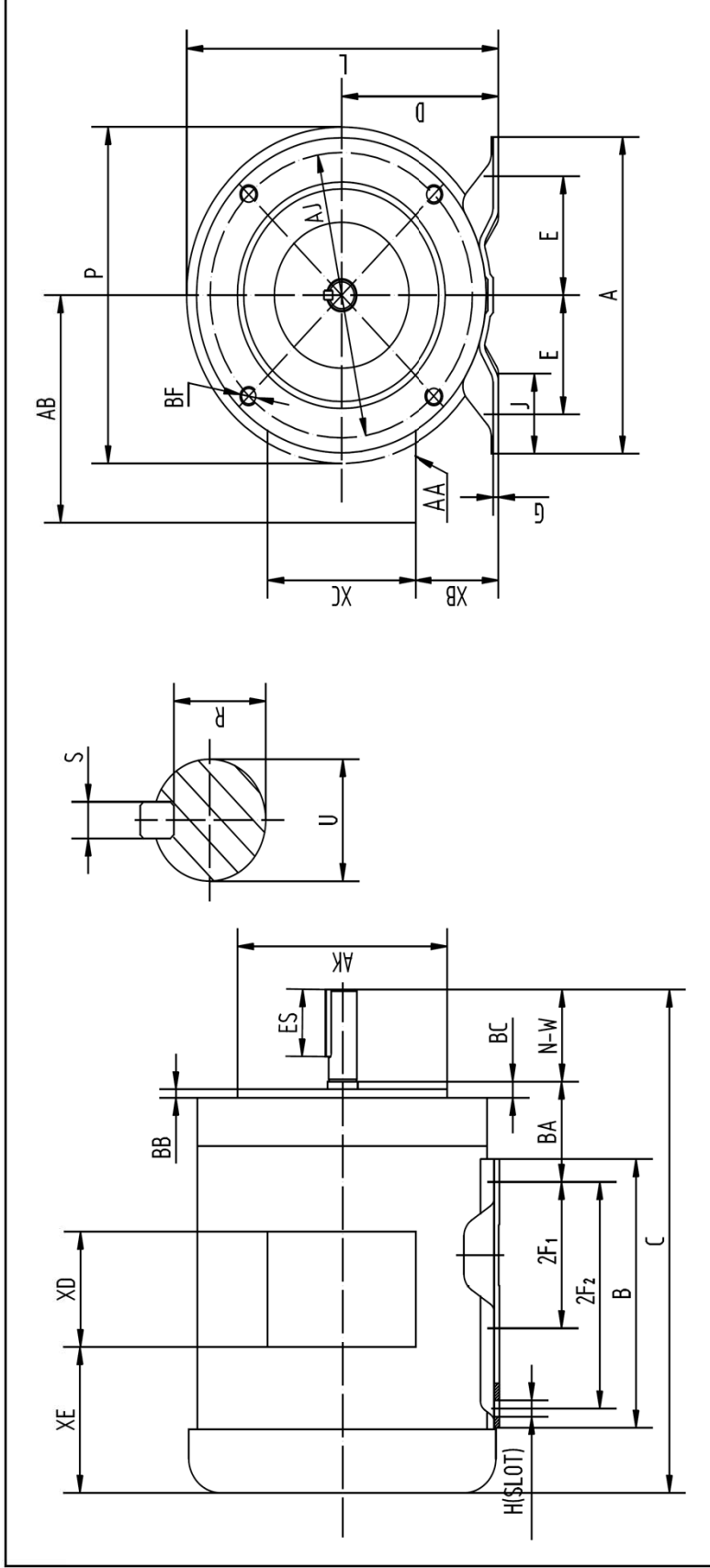


HP	1/2
RPM / POLES	3600 / 2
VOLTAGE / PHASE	230 / 460 V / 3
FRAME	56C
ENCLOSURE	TEFC
FREQUENCY	60 HZ
RATED SPEED	3460 RPM
FULL LOAD AMPS	1.8 / 0.9 A
DUTY CYCLE	CONTINUOUS
SERVICE FACTOR	1.15
INSULATION CLASS	F
RATED TORQUE	0.7 LB. FT.
LOCKED ROTOR TORQUE	275%
BREAKDOWN TORQUE	364%
LOCKED ROTOR AMPS (STARTING)	11.0 / 5.5 A
NO LOAD CURRENT	0.72 / 0.36 A
BASE TYPE	C-FACE - RIGID
SHAFT	KEYED
DE BEARING	6205 DDU
ODE BEARING	6205 DDU
MOUNTING	F1
ROTATION	CW / CCW
OVERLOAD	---
START CAPACITOR	---
RUN CAPACITOR	---
WIRE TYPE	LOOSE WIRE
WIRE HOUSING	JUNCTION BOX
ROTOR INERTIA	0.07698 LB. FT. ²
SHAFT MATERIAL	304 STAINLESS STEEL
CONNECTION DIAGRAM	230 / 460 V - 9 LEAD Y
APPROX. WEIGHT	29 LBS.
POWER FACTOR	0.88
FL EFFICIENCY	77.0%





WORLDWIDE ELECTRIC MOTOR DRAWING
WSS12-36-56CB



MOUNTING			
E	2F1	2F2	H
2.44	3	5	0.34

A	B	C	D	G	L	P	AA	AB
6.5	6.5	11.59	3.5	0.12	6.5	8.5	0.86	5.75

KEY		KEYSEAT		FLANGE			SHAFT			TERMINAL BOX		
BC	ES	S	R	AJ	AK	BB	BF	N-W	U	XC	XD	
0.19	1.41	0.188	0.517	5.875	4.5	0.16	3/8-16	1.88	0.625	3.27	3.8	

ALL DIMENSIONS IN INCHES