



WORLDWIDE ELECTRIC MOTOR DATA SHEET



WSS2-18-56CRD

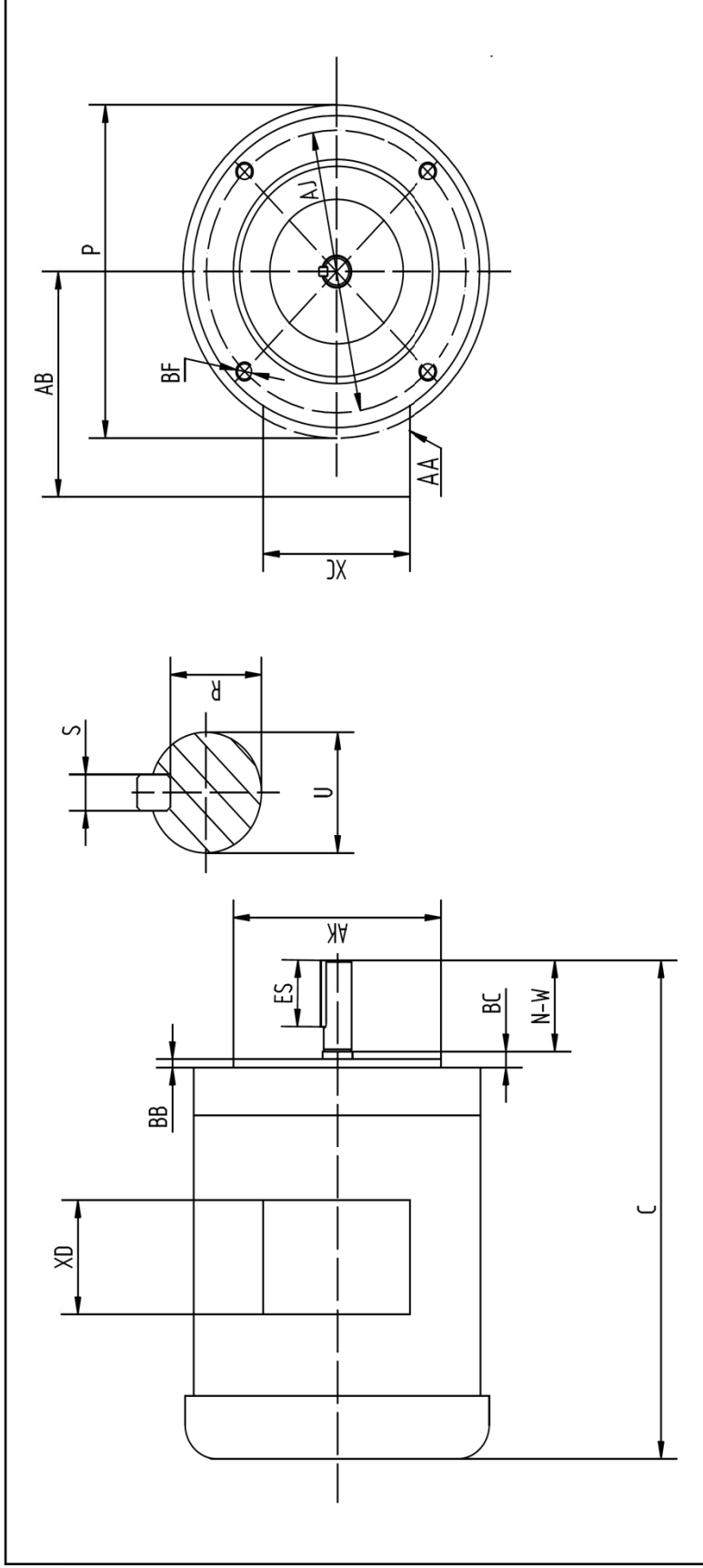
HP	2
RPM / POLES	1800 / 4
VOLTAGE / PHASE	230 / 460 V / 3
FRAME	56C
ENCLOSURE	TEFC
FREQUENCY	60 HZ
RATED SPEED	1740 RPM
FULL LOAD AMPS	6.0 / 3.0 A
DUTY CYCLE	CONTINUOUS
SERVICE FACTOR	1.15
INSULATION CLASS	F
RATED TORQUE	5.9 LB. FT.
LOCKED ROTOR TORQUE	247%
BREAKDOWN TORQUE	323%
LOCKED ROTOR AMPS (STARTING)	42.0 / 21.0 A
NO LOAD CURRENT	2.16 / 1.08 A
BASE TYPE	C-FACE - ROUND BODY
SHAFT	KEYED
DE BEARING	6205 DDU
ODE BEARING	6205 DDU
MOUNTING	F1
ROTATION	CW / CCW
OVERLOAD	---
START CAPACITOR	---
RUN CAPACITOR	---
WIRE TYPE	LOOSE WIRE
WIRE HOUSING	JUNCTION BOX
ROTOR INERTIA	0.10126 LB. FT. ²
SHAFT MATERIAL	304 STAINLESS STEEL
CONNECTION DIAGRAM	230 / 460 V - 9 LEAD Y
APPROX. WEIGHT	49 LBS.
POWER FACTOR	0.83
FL EFFICIENCY	84.0%



REVISÉD - 08/30/12



WORLDWIDE ELECTRIC MOTOR DRAWING
WSS2-18-56CRD



C	P	KEY			KEYSEAT		
		AA	AB	BC	ES	S	R
12.57	8.5	0.86	5.75	0.19	1.41	0.188	0.517

FLANGE		SHAFT		TERMINAL BOX	
AK	BB	N-W	U	XC	XD
4.5	0.16	1.88	0.625	3.27	3.8

ALL DIMENSIONS IN INCHES