



# WORLDWIDE ELECTRIC MOTOR DATA SHEET



## WSS34-18-56CB

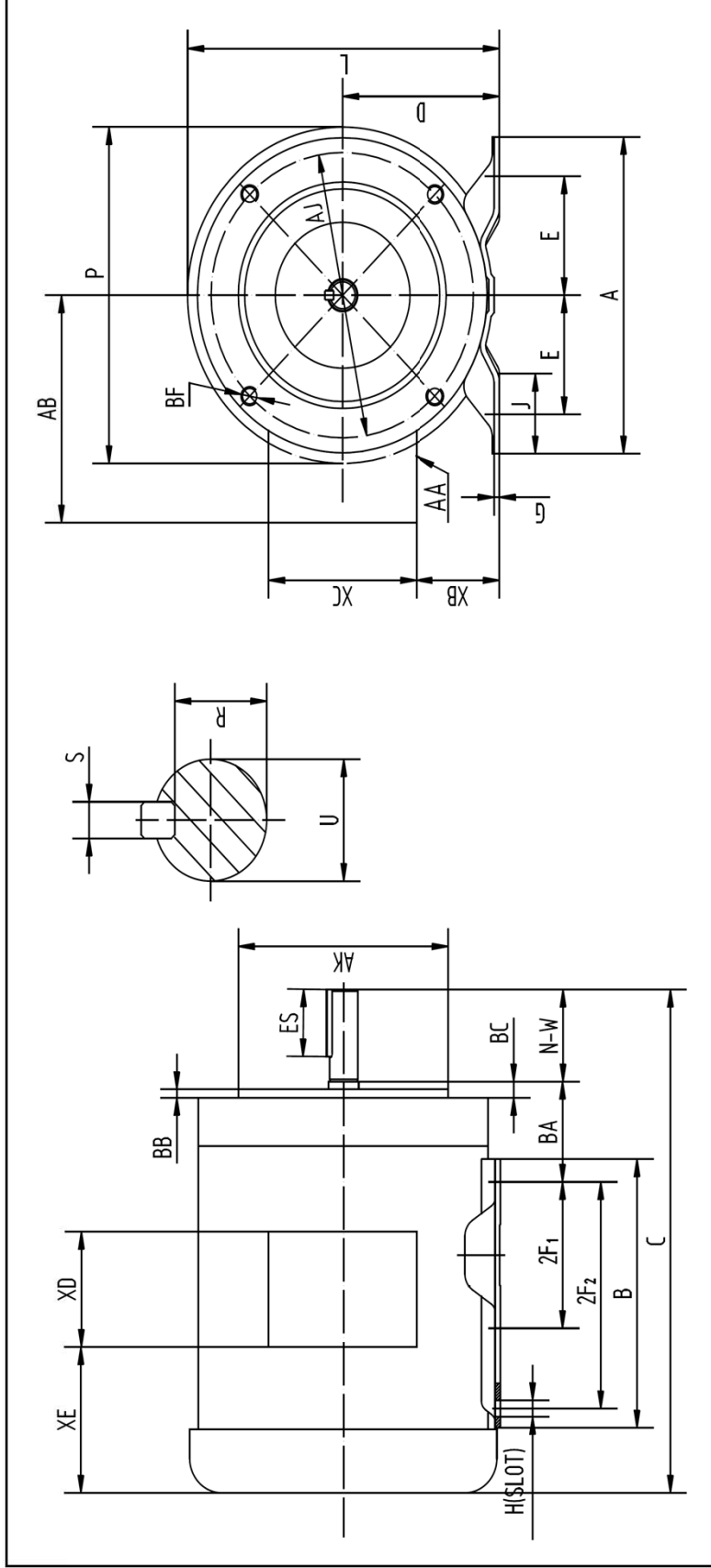
HP	3/4
RPM / POLES	1800 / 4
VOLTAGE / PHASE	230 / 460 V / 3
FRAME	56C
ENCLOSURE	TEFC
FREQUENCY	60 HZ
RATED SPEED	1725 RPM
FULL LOAD AMPS	2.4 / 1.2 A
DUTY CYCLE	CONTINUOUS
SERVICE FACTOR	1.15
INSULATION CLASS	F
RATED TORQUE	2.2 LB. FT.
LOCKED ROTOR TORQUE	227%
BREAKDOWN TORQUE	320%
LOCKED ROTOR AMPS (STARTING)	14.4 / 7.2 A
NO LOAD CURRENT	0.88 / 0.44 A
BASE TYPE	C-FACE - RIGID
SHAFT	KEYED
DE BEARING	6205 DDU
ODE BEARING	6205 DDU
MOUNTING	F1
ROTATION	CW / CCW
OVERLOAD	---
START CAPACITOR	---
RUN CAPACITOR	---
WIRE TYPE	LOOSE WIRE
WIRE HOUSING	JUNCTION BOX
ROTOR INERTIA	0.08104 LB. FT. <sup>2</sup>
SHAFT MATERIAL	304 STAINLESS STEEL
CONNECTION DIAGRAM	230 / 460 V - 9 LEAD Y
APPROX. WEIGHT	33 LBS.
POWER FACTOR	0.78
FL EFFICIENCY	82.5%



REVISED - 08/30/12



WORLDWIDE ELECTRIC MOTOR DRAWING  
**WSS34-18-56CB**



MOUNTING			
E	2F1	2F2	H
2.44	3	5	0.34

A	B	C	D	G	L	P	AA	AB
6.5	6.5	12.57	3.5	0.12	6.5	8.5	0.86	5.75

KEY		KEYSEAT		FLANGE			SHAFT			TERMINAL BOX		
BC	ES	S	R	AJ	AK	BB	BF	N-W	U	XC	XD	
0.19	1.41	0.188	0.517	5.875	4.5	0.16	3/8-16	1.88	0.625	3.27	3.8	

ALL DIMENSIONS IN INCHES