



WORLDWIDE ELECTRIC MOTOR DATA SHEET

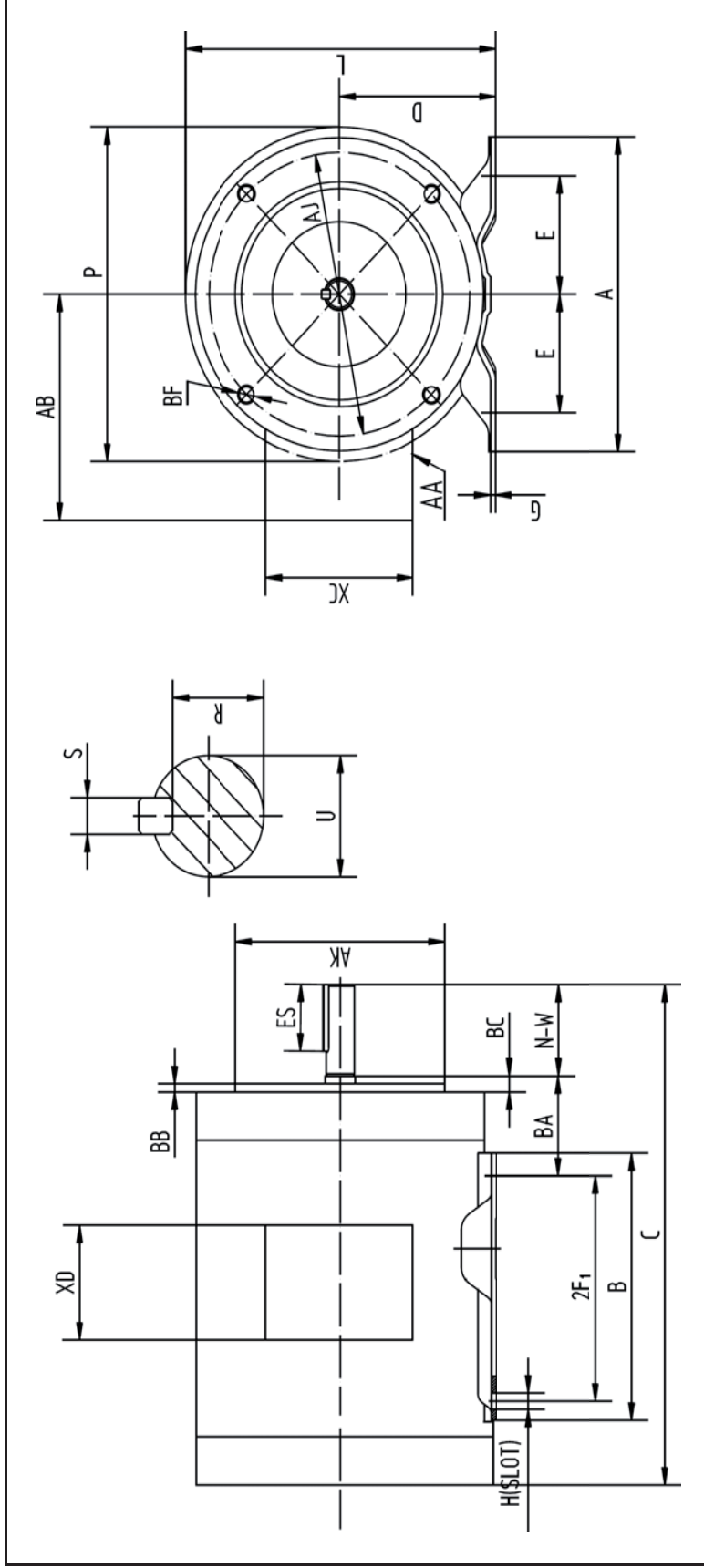


WSSNV12-18-56CB

HP	1/2
RPM / POLES	1800 / 4
VOLTAGE / PHASE	230 / 460 V / 3
FRAME	56C
ENCLOSURE	TENV
FREQUENCY	60 HZ
RATED SPEED	1725 RPM
FULL LOAD AMPS	1.5 / 0.75 A
DUTY CYCLE	CONTINUOUS
SERVICE FACTOR	1.15
INSULATION CLASS	F
RATED TORQUE	1.5 LB. FT.
LOCKED ROTOR TORQUE	250%
BREAKDOWN TORQUE	347%
LOCKED ROTOR AMPS (STARTING)	9.6 / 4.8 A
NO LOAD CURRENT	0.6 / 0.3 A
BASE TYPE	C-FACE - RIGID
SHAFT	KEYED
DE BEARING	6205 DDU
ODE BEARING	6205 DDU
MOUNTING	F1
ROTATION	CW / CCW
OVERLOAD	---
START CAPACITOR	---
RUN CAPACITOR	---
WIRE TYPE	LOOSE WIRE
WIRE HOUSING	JUNCTION BOX
ROTOR INERTIA	0.09290 LB. FT. ²
SHAFT MATERIAL	304 STAINLESS STEEL
CONNECTION DIAGRAM	230 / 460 V - 9 LEAD Y
APPROX. WEIGHT	31 LBS.
POWER FACTOR	0.76
FL EFFICIENCY	82.5%



WORLDWIDE ELECTRIC MOTOR DRAWING
WSSNV12-18-56CB



MOUNTING			
E	2F1	H	BA
2.44	3	0.34	2.75

A	B	C	D	G	L	P	AA	AB
6.5	5	9.8	3.5	0.12	6.75	6.5	0.86	5.75

KEY		KEYSEAT
ES	S	R
1.41	0.188	0.517

FLANGE			SHAFT		
AJ	AK	BB	N-W	U	XC
5.875	4.5	0.16	1.88	0.625	4.72

TERMINAL BOX		
N-W	U	XD
1.88	0.625	3.8

ALL DIMENSIONS IN INCHES