



WORLDWIDE ELECTRIC MOTOR DATA SHEET

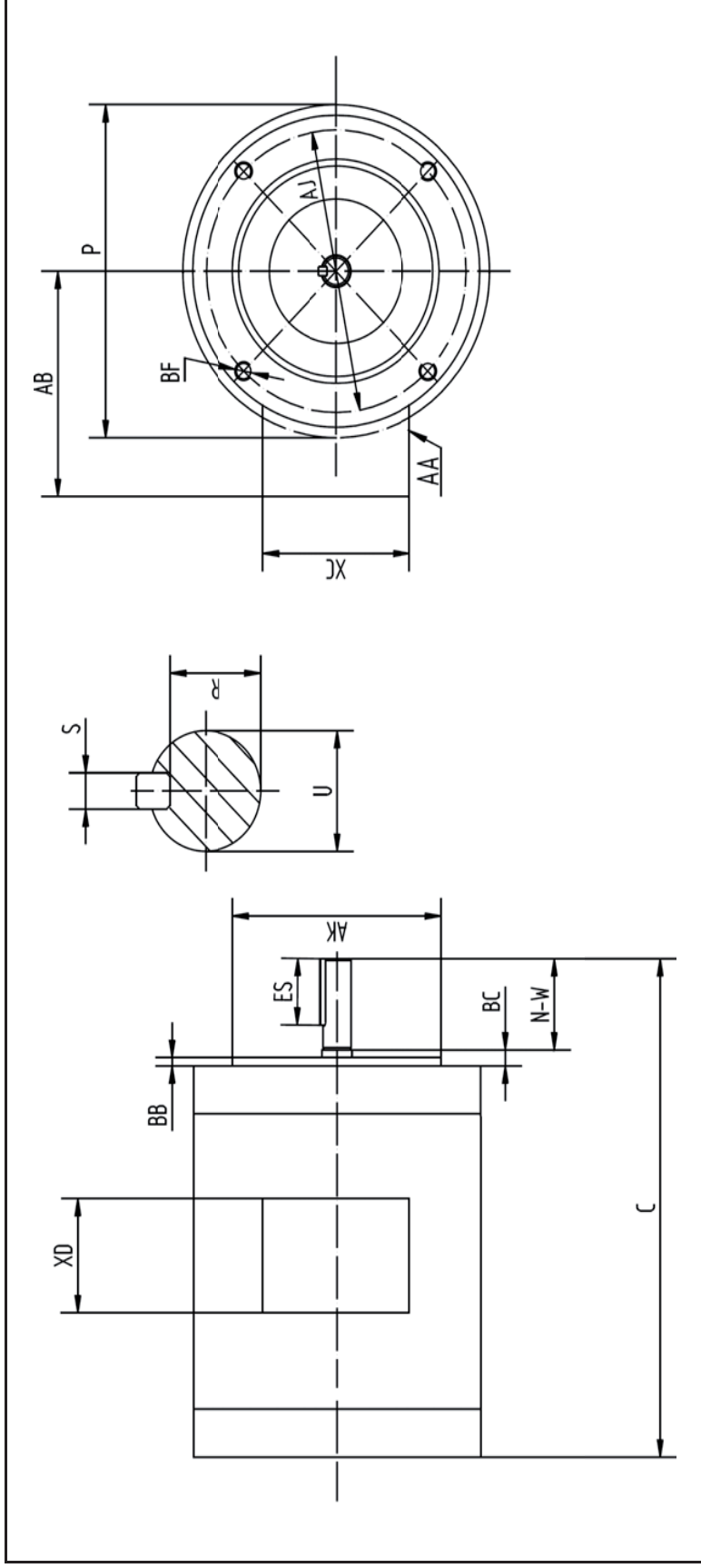


WSSNV13-18-56CRD

| | |
|------------------------------|------------------------------|
| HP | 1/3 |
| RPM / POLES | 1800 / 4 |
| VOLTAGE / PHASE | 230 / 460 V / 3 |
| FRAME | 56C |
| ENCLOSURE | TENV |
| FREQUENCY | 60 HZ |
| RATED SPEED | 1725 RPM |
| FULL LOAD AMPS | 1.4 / 0.7 A |
| DUTY CYCLE | CONTINUOUS |
| SERVICE FACTOR | 1.15 |
| INSULATION CLASS | F |
| RATED TORQUE | 1.0 LB. FT. |
| LOCKED ROTOR TORQUE | 288% |
| BREAKDOWN TORQUE | 388% |
| LOCKED ROTOR AMPS (STARTING) | 7.4 / 3.7 A |
| NO LOAD CURRENT | 0.58 / 0.29 A |
| BASE TYPE | C-FACE - ROUND BODY |
| SHAFT | KEYED |
| DE BEARING | 6205 DDU |
| ODE BEARING | 6205 DDU |
| MOUNTING | F1 |
| ROTATION | CW / CCW |
| OVERLOAD | --- |
| START CAPACITOR | --- |
| RUN CAPACITOR | --- |
| WIRE TYPE | LOOSE WIRE |
| WIRE HOUSING | JUNCTION BOX |
| ROTOR INERTIA | 0.07160 LB. FT. ² |
| SHAFT MATERIAL | 304 STAINLESS STEEL |
| CONNECTION DIAGRAM | 230 / 460 V - 9 LEAD Y |
| APPROX. WEIGHT | 28 LBS. |
| POWER FACTOR | 0.71 |
| FL EFFICIENCY | 82.5% |



WORLDWIDE ELECTRIC MOTOR DRAWING
WSSNV13-18-56CRD



| C | P | FLANGE | | | SHAFT | | | KEYSEAT | | |
|-----|-----|--------|------|------|-------|-------|------|---------|-------|--|
| | | AA | AB | BC | N-W | U | ES | S | R | |
| 9.8 | 6.5 | 0.86 | 5.75 | 0.19 | 1.88 | 0.625 | 1.41 | 0.188 | 0.517 | |

| FLANGE | | | SHAFT | | | TERMINAL BOX | | |
|--------|-----|------|-------|-------|------|--------------|--|--|
| AJ | AK | BB | N-W | U | XC | XD | | |
| 5.875 | 4.5 | 0.16 | 1.88 | 0.625 | 4.72 | 3.8 | | |

ALL DIMENSIONS IN INCHES